



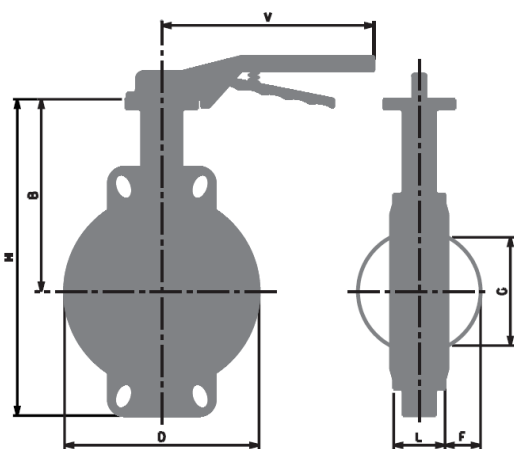
## CIV BFV Wafer

**Construction :**

Polyster coated ductil cast iron body and butterfly.

Stainless steel stem.Coated aluminum lever.

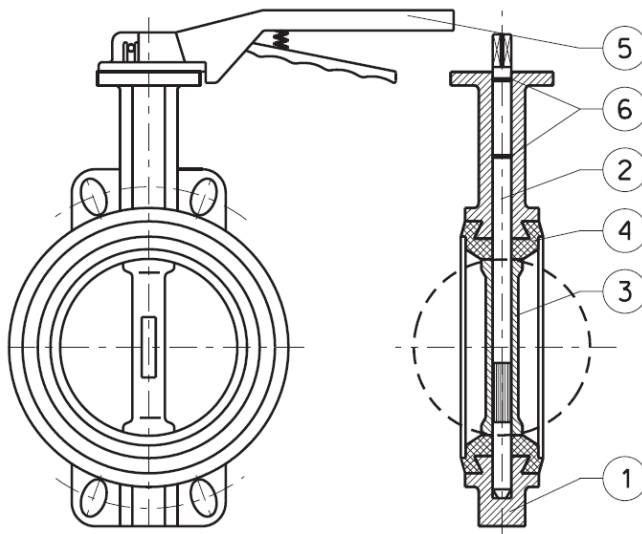
EPDM liner. Over DN 200 thevalves are standard provided by gearbox.



DN	D	L	G	H	V	B
50	-	43	-	240	-	161
65	-	46	-	253	-	160
80	-	46	-	268	-	165
100	-	52	-	305	-	185
125	-	56	-	343	-	210
150	-	56	-	368	-	210
200	-	60	-	430	-	250
250	-	68	-	511	-	295
300	-	78	-	572	-	321
350	-	78	-	608	-	346
400	-	102	-	675.8	-	375
450	-	114	-	733	-	400
500	-	127	-	798	-	432

**CIV BFV Wafer**

**List Materials**



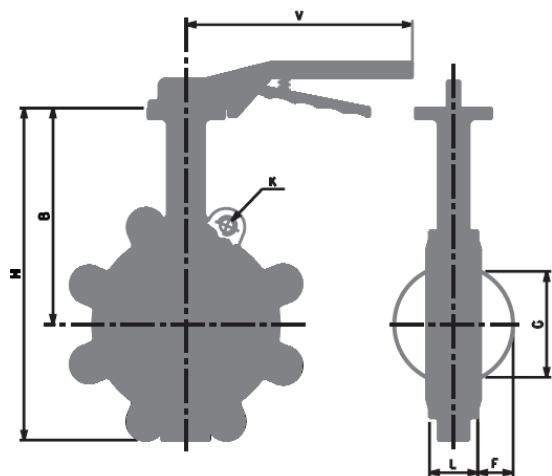
	Part Name	Material
1	Body	Ductil Iron
2	Shaft	Aisi 420 Stainless Steel
3	Disc	Stainless steel
4	Liner	EPDM
4	Lever	Bare Shaft ready to install Air Actuator
5	O-ring	NBR RUBBER

## CIV BFV Lug



**Construction :**

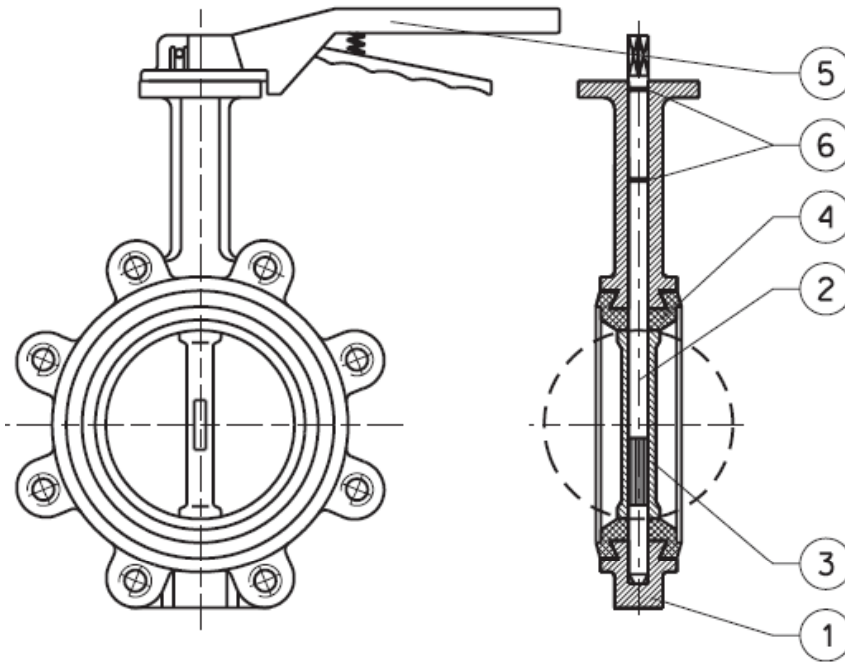
Centric butterfly valve with elastomer liner , Body ductil cast iron , Lug type or Flanged , Face to Face according iso 5752/20 , Top flange according ISO 5211 , rating PN 10, PN 16 , ANSI CL 150.



DN	D	L	G	H	V	B
50	-	43	-	213	-	130
65	-	46	-	235	-	140
80	-	46	-	247	-	145
100	-	52	-	284	-	160
125	-	56	-	307	-	170
150	-	56	-	339	-	190
200	-	60	-	401	-	220
250	-	68	-	470	-	260
300	-	78	-	538	-	290
350	-	78	-	599	-	320
400	-	102	-	655	-	350
450	-	114	-	745	-	380
500	-	127	-	791	-	420
600	-	154	-	927	-	470

**CIV BFV Lug**

**List Materials**



	Part Name	Material
1	Body	Ductil Iron; Cast Iron ; Stainlees steel ; Special alloys*
2	Shaft	Aisi 420 Stainless Steel
3	Disc	Ductil Iron ; Alu-Bronze ; Stainless steel , Special Alloys*
4	Liner	EPDM; EPDM KTW ; Nitrile ; Butyl ; Silicon ;Viton .
4	Lever	Aluminum ;
5	O-ring	NBR RUBBER



## CIV BFV High Performance Wafer

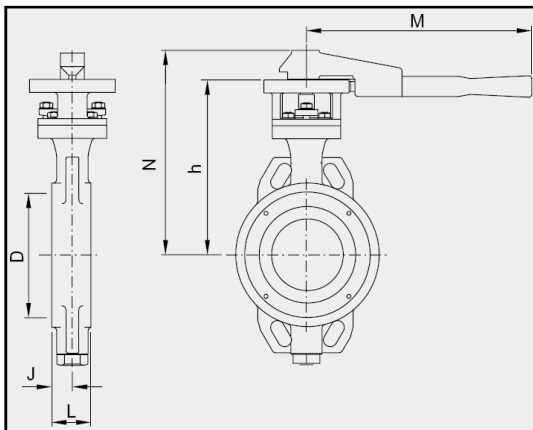
**Construction :**

Wafer body , double escentric disc , secondary energiser metal seat. Fire-safe tested design , BS 6755 part 2 blow-out proof shaft , design API 609.

**Rating :** API 609 Class 150-300

**Connections :** ASME Class 150-300 , Smoth finish  
Flange DIN 2501/1 PN 10-40, Facing DIN 2526.

**Face to Face dimensions :** API 609, Class 150-300



MATERIALS	VERSION CS	VERSION SS
BODIES	ASTM-A-216 WCC	ASTM A-351 CF8M
DISC/SHAFT	ASTM A351 CF8M / UN S31803	
SEATS	PTFE / INCONEL-625	
SEALS	GRAPHITE	

NPS	Class 150	Class 300	Class 150	Class 300	Class 150	Class 300	Class 150	Class 300	Class 150	Class 300	Class 150	Class 300	Class 150	Class 300	
	D	L	M	N	H	J	Par-Torque		Weight						
	Mm										Nm		Kg		
3"	74,6	50	50	300	300	253	253	210	210	27	27	57	90	7,5	87,5
4"	89,7	55,5	55,5	300	300	271	271	228	228	28,6	28,6	97	145	10	11
6"	144,1	60	60	400	400	308	308	268	268	31,7	31,7	175	302	20	20
8"	193,8	67	76	400	-	344	371	317	317	35	38	333	612	28	28
10"	235,8	72	86	-	-	401	456	402	402	39,3	44	638	1208	46	56
12"	286	84	94	-	-	452	480	426	426	46	50,8	1179	2000	68	78
14"	304,5	92	117	-	-	508	578	507	507	52	58	1300	2200	88	120
16"	360	102	133	-	-	556	653	573	573	58	72	1500	2400	160	230
18"	410	114	149	--	-	606	685	605	605	67	78	2100	4240	210	290
20"	459	127	159	-	-	684	732	642	642	70	80	3000	4836	312	382
24"	556	154	11	-	-	748	792	692	692	83	83	4000	6019	444	605

On request CIV supply valves up to 72" in SS, CS , CI , DI , Monel , Inconel.



## CIV BFV High Performance Lug

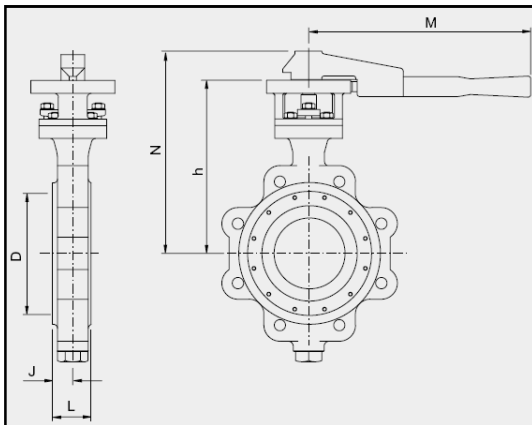
**Construction :**

Lug body , double escentric disc , secondary energiser metal seat. Fire-safe tested design , BS 6755 part 2 blow-out proof shaft , design API 609.

**Rating :** API 609 Class 150-300

**Connections :** ASME Class 150-300 , Smoth finish  
Flange DIN 2501/1 PN 10-40, Facing DIN 2526.

**Face to Face dimensions :** API 609, Class 150-300



MATERIALS	VERSION CS	VERSION SS
BODIES	ASTM-A-216 WCC	ASTM A-351 CF8M
DISC/SHAFT	ASTM A351 CF8M / UN S31803	
SEATS	PTFE / INCONEL-625	
SEALS	GRAPHITE	

NPS	Class 150	Class 300	Class 150	Class 300	Class 150	Class 300	Class 150	Class 300	Class 150	Class 300	Class 150	Class 300	Class 150	Class 300	
	D	L	M	N	H	J	Par-Torque		Weight						
	Mm										Nm		Kg		
3"	74,6	50	50	300	300	253	253	210	210	27	27	60	90	9	9
4"	89,7	55,5	55,5	300	300	271	271	228	228	28,6	28,6	100	150	15	15
6"	144,1	60	60	400	400	308	308	268	268	31,7	31,7	185	300	25	28
8"	193,8	67	76	400	-	344	371	317	317	35	38	350	600	32	46
10"	235,8	72	86	-	-	401	456	402	402	39,3	44	650	1100	50	75
12"	286	84	94	-	-	452	480	426	426	46	50,8	1260	2060	75	104
14"	304,5	92	117	-	-	508	578	507	507	52	58	1450	2300	110	160
16"	360	102	133	-	-	556	653	573	573	58	72	1600	2600	175	290
18"	410	114	149	--	-	606	685	605	605	67	78	2000	4200	188	355
20"	459	127	159	-	-	684	732	642	642	70	80	2900	5000	385	460
24"	556	154	11	-	-	748	792	692	692	83	83	4000	6100	470	705

On request CIV supply valves up to 72" in SS, CS , CI , DI , Monel , Inconel.